

# B22G5L Technical Data Sheet

Compressor model **B25G5L**  
 Voltage **115V 60Hz ~1**  
 Refrigerant **R134a**

## APPLICATION

## COMPRESSOR

## MOTOR

Application	High Back Pressure	Displacement	2,60 cm <sup>3</sup>	Nominal Power	1/14 hp
Refrigerant	R134a	Diameter	17,20 mm	Voltage/Frequency	115V 60Hz
Evaporating Temp.	-15,0 °C to 10,0 °C	Stroke	11,20 mm	Voltage range	98-127 V
Expansion	Capillar/Valve	Net Weight	5,35 Kg	Type	CSIR
Comp. Cooling	Static/Fan cooled	Oil type	POE 32	Phase number	1 PH
Max. ambient temp.	43,0 °C	Oil charge	130 cm <sup>3</sup>	Locked Rotor Amps (LRA)	9,60 A
Compatible refriger.	R1234yf			Main W. resist. at 25°C	19,00 Q
				Start W. resist. at 25°C	5,50 Q

## NOMINAL PERFORMANCE

	ASHRAE	CECOMAF
Cooling Capacity	240 kCal/h	231 W
COP	2,29 W/W	1,94 W/W
EER	1,97 kCal/Wh	1,67 kCal/Wh
Input Power	122 W	119 W
Current	1,66 A	1,64 A

## TEST CYCLE CONDITIONS

	ASHRAE HBP (D)	CECOMAF HBP (C)
Evaporating temp. (T <sub>e</sub> )	7,2 °C	5,0 °C
Condensing temp. (T <sub>c</sub> )	55,0 °C	55,0 °C
Liquid temp. (T <sub>liq.</sub> )	46,0 °C	55,0 °C
Ambient temp. (T <sub>amb.</sub> )	35,0 °C	32,0 °C
Suction temp. (T <sub>suction</sub> )	35,0 °C	32,0 °C
Voltage/Frequency	115 V 60 Hz	115 V 60 Hz

## ELECTRICAL COMPONENTS

Starting capacitor	61 pF 330 V		
Relay	Option 1		
Reference	QL2-4.80 (010)		
Pick-Up	A		
Drop-Out	A		
Protector	Option 1	Option 2	
Reference	BT78-135 (036)	DRB242S61A1 (036)	
Current			
Time check			
Disc temp. (Open/Close)			

# B25G5L Technical Data Sheet



## ASHRAE

Tc	Te	Cooling Capacity	Consumption	Current	COP	EER
°C	°C	kCal/h	W	A	W/W	kCal/Wh
40	-15	94	79	1,47	1,38	1,19
40	-10	130	86	1,49	1,77	1,52
40	-5	172	92	1,51	2,17	1,87
40	0	218	98	1,53	2,60	2,24
40	5	270	102	1,55	3,07	2,64
40	7,2	294	104	1,56	3,29	2,83
40	10	326	106	1,57	3,58	3,08

45	-15	86	79	1,47	1,26	1,08
45	-10	120	88	1,49	1,60	1,37
45	-5	159	95	1,52	1,95	1,68
45	0	204	102	1,55	2,33	2,00
45	5	253	108	1,58	2,73	2,35
45	7,2	276	110	1,59	2,92	2,51
45	10	307	113	1,61	3,16	2,72

50	-15	78	80	1,47	1,14	0,98
50	-10	110	89	1,50	1,43	1,23
50	-5	147	98	1,53	1,74	1,50
50	0	189	106	1,57	2,07	1,78
50	5	236	113	1,61	2,43	2,09
50	7,2	258	116	1,62	2,59	2,22
50	10	288	120	1,64	2,80	2,41

55	-15	70	80	1,47	1,02	0,88
55	-10	100	91	1,50	1,28	1,10
55	-5	134	101	1,54	1,55	1,33
55	0	174	110	1,59	1,84	1,58
55	5	219	118	1,64	2,15	1,85
55	7,2	240	122	1,66	2,29	1,97
55	10	268	126	1,69	2,47	2,13

60	-15	62	80	1,47	0,90	0,77
60	-10	89	92	1,51	1,13	0,97
60	-5	122	104	1,56	1,37	1,18
60	0	159	114	1,61	1,62	1,39
60	5	202	124	1,67	1,89	1,63
60	7,2	222	128	1,70	2,02	1,73
60	10	249	133	1,73	2,18	1,87

65	-15	54	81	1,47	0,78	0,67
65	-10	79	94	1,52	0,98	0,84
65	-5	109	107	1,57	1,19	1,03
65	0	144	118	1,64	1,42	1,22
65	5	185	129	1,71	1,66	1,43
65	7,2	204	134	1,74	1,77	1,52
65	10	230	140	1,79	1,91	1,65

## CECOMAF

Tc	Te	Cooling Capacity	Consumption	Current	COP	EER
°C	°C	W	W	A	W/W	kCal/Wh
40	-15	101	79	1,47	1,27	1,10
40	-10	141	86	1,49	1,63	1,41
40	-5	185	93	1,51	2,00	1,73
40	0	235	98	1,53	2,40	2,07
40	5	290	103	1,55	2,82	2,44
40	7,2	316	105	1,56	3,02	2,61
40	10	351	107	1,57	3,29	2,84

45	-15	92	80	1,47	1,16	1,00
45	-10	129	88	1,49	1,46	1,27
45	-5	171	96	1,52	1,79	1,55
45	0	218	102	1,55	2,13	1,84
45	5	271	108	1,58	2,50	2,16
45	7,2	295	111	1,59	2,67	2,31
45	10	328	114	1,61	2,89	2,50

50	-15	83	80	1,47	1,04	0,90
50	-10	117	90	1,50	1,31	1,13
50	-5	156	98	1,53	1,59	1,37
50	0	201	106	1,57	1,89	1,63
50	5	251	114	1,61	2,20	1,90
50	7,2	274	117	1,63	2,35	2,03
50	10	306	120	1,65	2,54	2,20

55	-15	74	80	1,47	0,92	0,80
55	-10	105	91	1,51	1,15	1,00
55	-5	142	101	1,55	1,40	1,21
55	0	184	111	1,59	1,66	1,44
55	5	231	119	1,64	1,94	1,67
55	7,2	253	123	1,67	2,06	1,78
55	10	283	127	1,69	2,23	1,93

60	-15	65	81	1,47	0,80	0,70
60	-10	94	93	1,51	1,01	0,87
60	-5	128	104	1,56	1,22	1,06
60	0	167	115	1,62	1,45	1,25
60	5	211	125	1,68	1,69	1,46
60	7,2	233	129	1,71	1,80	1,56
60	10	261	134	1,74	1,95	1,68

65	-15	56	81	1,47	0,69	0,60
65	-10	82	95	1,52	0,87	0,75
65	-5	113	107	1,58	1,06	0,91
65	0	150	119	1,64	1,26	1,09
65	5	191	130	1,72	1,47	1,27
65	7,2	212	135	1,75	1,57	1,36
65	10	239	141	1,79	1,70	1,47

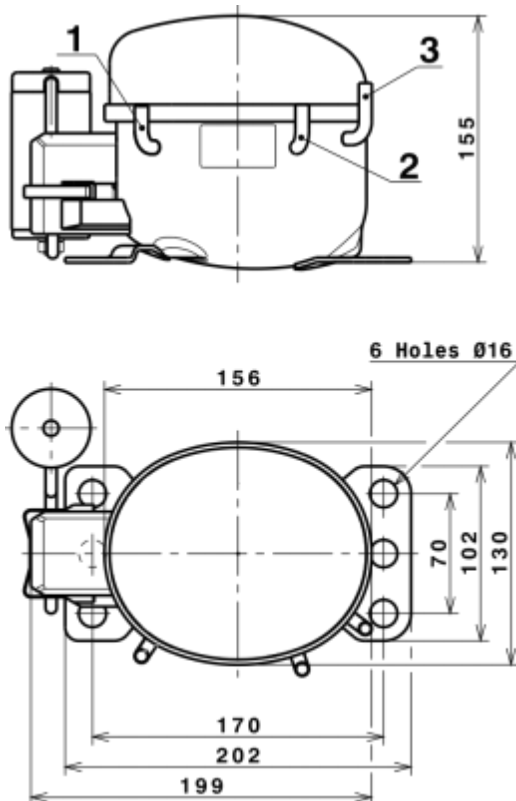
## EN12900

X	Cooling Capacity (W)	Consumption (W)	Current (A)	Mass Flow (kg/h)
1	372,6851499618	66,1746848931	1,3329990938	6,3994843085496
2	14,8897229130	-1,0400280375	-0,0074820477	0,26644254862336
3	-3,5150874309	0,8611738730	0,0050243529	-0,030614996409707
4	0,1042764719	-0,0143641814	0,0000910728	0,0031940519564631
5	-0,1123050722	0,0528384815	0,0003219338	-0,00051200524973166

Equation  $x_1 + x_2Te + x_3Tc + x_4Te^2 + x_5TeTc$

# B25G5L Technical Data Sheet

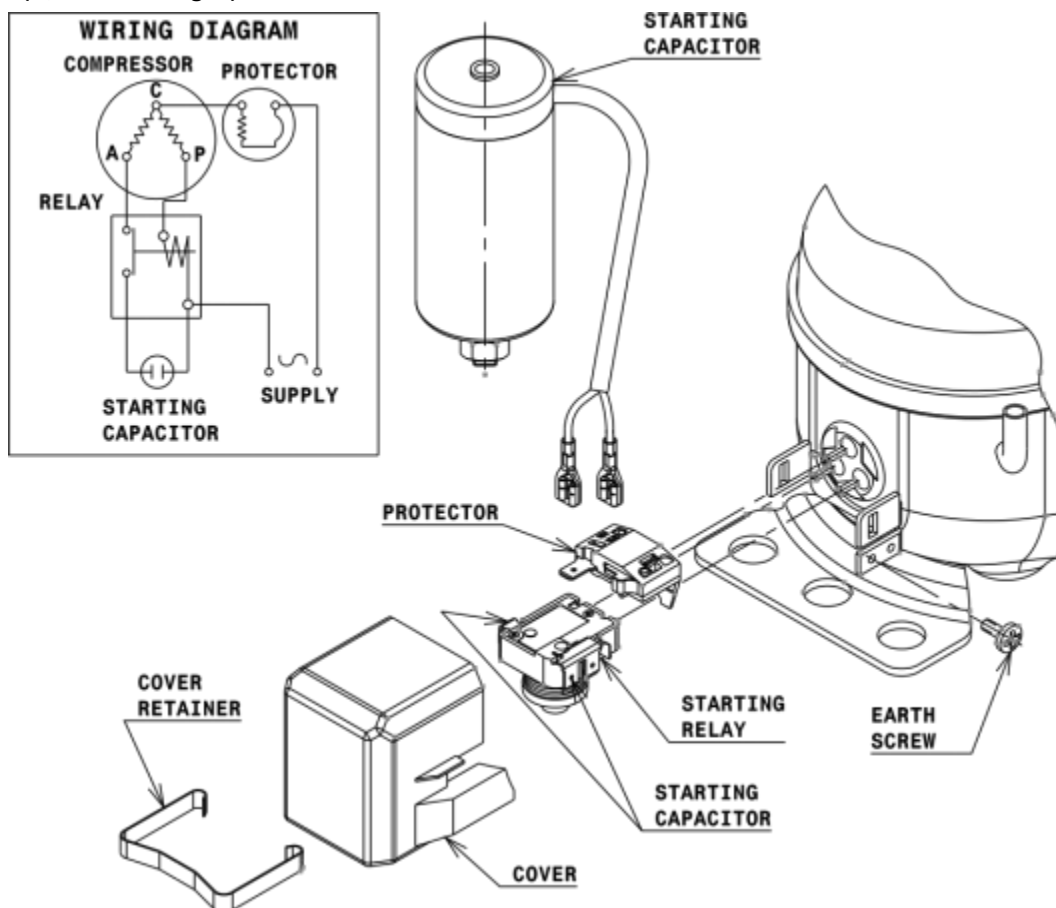
## COMPRESSOR DIMENSIONS



	DESIGNATION	INTERNAL DIAM.
1	Suction	6,1 mm
2	Service	6,1 mm
3	Discharge	5,1 mm

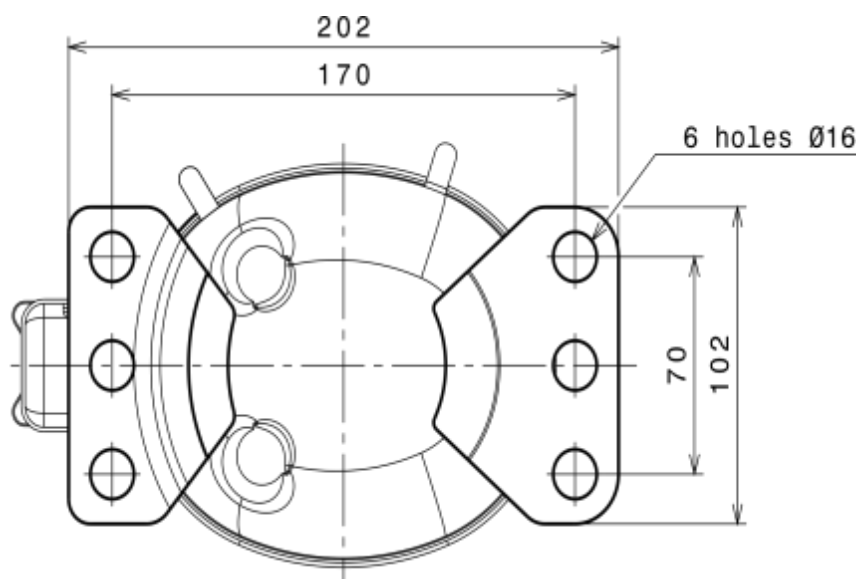
## WIRING DIAGRAMS AND ELECTRICAL ASSEMBLY

### CSIR CONNECTION (B, Small L ranges)



# B25G5L Technical Data Sheet

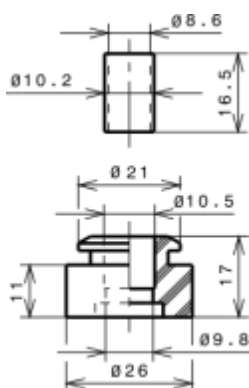
## FIXINGS



## SILENT BLOCKS (MOUNTING ACCESSORIES)

### STANDARD

Ø16 holes (170x70 net)



## SOA

SOA R134a HBP

