

B35C Technical Data Sheet

Compressor model **B35C**
 Voltage **220-240V 50/60Hz ~1**
 Refrigerant **R600a**

APPLICATION

Application Low Back Pressure
 Refrigerant R600a
 Evaporating Temp. -35,0 °C to -15,0 °C
 Expansion Capillar
 Comp. Cooling Static
 Max. ambient temp. 43,0 °C

COMPRESSOR

Displacement 3,50 cm³
 Diameter 17,20 mm
 Stroke 15,20 mm
 Net Weight 4,60 Kg
 Oil type ISO VG 10 MINER
 Oil charge 120 cm³

MOTOR

Nominal Power 1/15 hp
 Voltage/Frequency 220-240V 60Hz
 Voltage range 187-255 V
 Type RSIR
 Phase number 1 PH
 Locked Rotor Amps (LRA) 1,70 A
 Main W. resist. at 25°C 66,30 Q
 Start W. resist. at 25°C 29,80 Q

NOMINAL PERFORMANCE

	ASHRAE	CECOMAF
Cooling Capacity	52 kCal/h	45 W
COP	1,21 W/W	0,94 W/W
EER	1,04 kCal/Wh	0,81 kCal/Wh
Input Power	50 W	48 W
Current	0,38 A	0,38 A

TEST CYCLE CONDITIONS

	ASHRAE LBP (B)	CECOMAF LBP (A)
Evaporating temp. (T _e)	-23,3 °C	-25,0 °C
Condensing temp. (T _c)	55,0 °C	55,0 °C
Liquid temp. (T _{liq.})	32,0 °C	55,0 °C
Ambient temp. (T _{amb.})	32,0 °C	32,0 °C
Suction temp. (T _{suction})	32,0 °C	32,0 °C
Voltage/Frequency	220 V 60 Hz	220 V 60 Hz

ELECTRICAL COMPONENTS

Relay	Option 1	Option 2		
Reference	JPQII-15 (019)	QP2-15 (019)		
Voltage	V	V		
Resistance	Q	Q		
Protector	Option 1	Option 2	Option 3	
Reference	BT18-105 (094)	BT18-105A61D3 (094)	DRB10K61A1 (094)	
Current				
Time check				
Disc temp. (Open/Close)				

B35C Technical Data Sheet



ASHRAE

Tc	Te	Cooling Capacity	Consumption	Current	COP	EER
°C	°C	kCal/h	W	A	W/W	kCal/Wh
40	-35	32	36	0,36	1,03	0,89
40	-30	45	41	0,37	1,29	1,11
40	-25	59	46	0,37	1,51	1,30
40	-23,3	64	47	0,38	1,57	1,35
40	-20	74	51	0,38	1,69	1,45
40	-15	91	57	0,39	1,84	1,58
40	-10	108	64	0,41	1,96	1,69

45	-35	28	36	0,36	0,90	0,78
45	-30	41	41	0,37	1,16	1,00
45	-25	55	46	0,37	1,38	1,19
45	-23,3	60	48	0,38	1,45	1,24
45	-20	70	52	0,38	1,56	1,34
45	-15	87	59	0,40	1,71	1,47
45	-10	104	66	0,41	1,83	1,58

50	-35	23	35	0,36	0,77	0,66
50	-30	37	41	0,37	1,04	0,89
50	-25	51	47	0,38	1,26	1,08
50	-23,3	56	49	0,38	1,33	1,14
50	-20	66	54	0,39	1,44	1,24
50	-15	83	61	0,40	1,59	1,37
50	-10	101	68	0,42	1,71	1,47

55	-35	19	35	0,36	0,63	0,54
55	-30	32	41	0,37	0,92	0,79
55	-25	47	48	0,38	1,14	0,98
55	-23,3	52	50	0,38	1,21	1,04
55	-20	62	55	0,39	1,33	1,14
55	-15	79	62	0,40	1,48	1,27
55	-10	97	71	0,42	1,60	1,37

60	-35	15	35	0,36	0,49	0,42
60	-30	28	41	0,37	0,79	0,68
60	-25	43	48	0,38	1,03	0,88
60	-23,3	48	51	0,38	1,10	0,94
60	-20	58	56	0,39	1,22	1,05
60	-15	75	64	0,41	1,37	1,18
60	-10	93	73	0,43	1,49	1,28

CECOMAF

Tc	Te	Cooling Capacity	Consumption	Current	COP	EER
°C	°C	W	W	A	W/W	kCal/Wh
40	-35	35	36	0,36	0,97	0,84
40	-30	49	41	0,37	1,22	1,06
40	-25	65	46	0,37	1,43	1,23
40	-23,3	71	47	0,38	1,49	1,29
40	-20	82	51	0,38	1,60	1,38
40	-15	99	57	0,39	1,73	1,50
40	-10	118	64	0,41	1,84	1,59

45	-35	29	36	0,36	0,82	0,71
45	-30	43	41	0,37	1,06	0,92
45	-25	58	46	0,37	1,26	1,09
45	-23,3	64	48	0,38	1,32	1,14
45	-20	74	52	0,38	1,42	1,23
45	-15	91	59	0,40	1,55	1,34
45	-10	110	66	0,41	1,66	1,43

50	-35	24	35	0,36	0,67	0,58
50	-30	37	41	0,37	0,91	0,79
50	-25	52	47	0,38	1,10	0,95
50	-23,3	57	49	0,38	1,15	1,00
50	-20	67	54	0,39	1,25	1,08
50	-15	84	61	0,40	1,38	1,19
50	-10	101	68	0,42	1,48	1,28

55	-35	18	35	0,36	0,52	0,45
55	-30	31	41	0,37	0,75	0,65
55	-25	45	48	0,38	0,94	0,81
55	-23,3	50	50	0,38	1,00	0,86
55	-20	60	55	0,39	1,09	0,94
55	-15	76	62	0,40	1,21	1,05
55	-10	93	71	0,42	1,31	1,14

60	-35	13	35	0,36	0,36	0,31
60	-30	25	41	0,37	0,60	0,52
60	-25	38	48	0,38	0,79	0,68
60	-23,3	43	51	0,38	0,84	0,73
60	-20	53	56	0,39	0,94	0,81
60	-15	68	64	0,41	1,06	0,92
60	-10	84	73	0,43	1,16	1,00

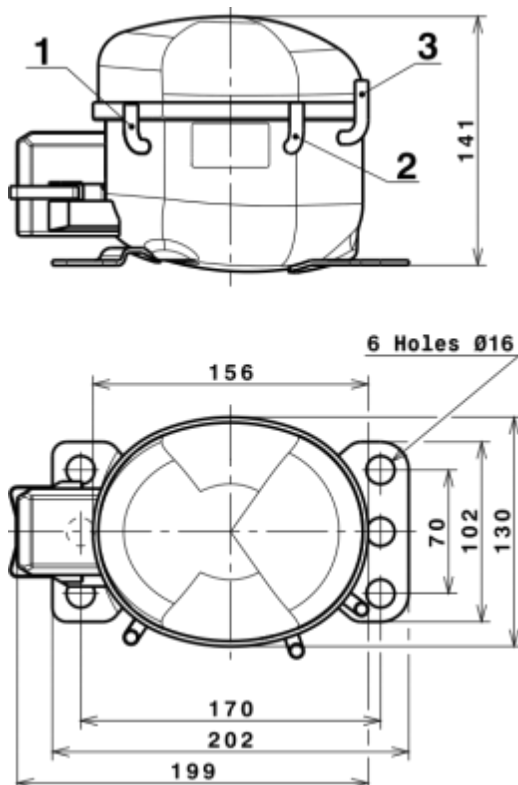
EN12900

X	Cooling Capacity (W)	Consumption (W)	Current (A)	Mass Flow (kg/h)
1	232,6911060145	54,6285980461	0,3890761188	2,2859167053681
2	5,1390014324	0,8309846325	0,0026051623	0,051599340769182
3	-1,9406984992	0,6554460599	0,0014338170	-0,0089648542281433
4	0,0207603627	0,0112451662	0,0000545974	0,00031497506238174
5	-0,0239393169	0,0205552998	0,0000430259	6,5438307431231E-5

Equation	$x_1 + x_2Te + x_3Tc + x_4Te^2 + x_5TeTc$
----------	---

B35C Technical Data Sheet

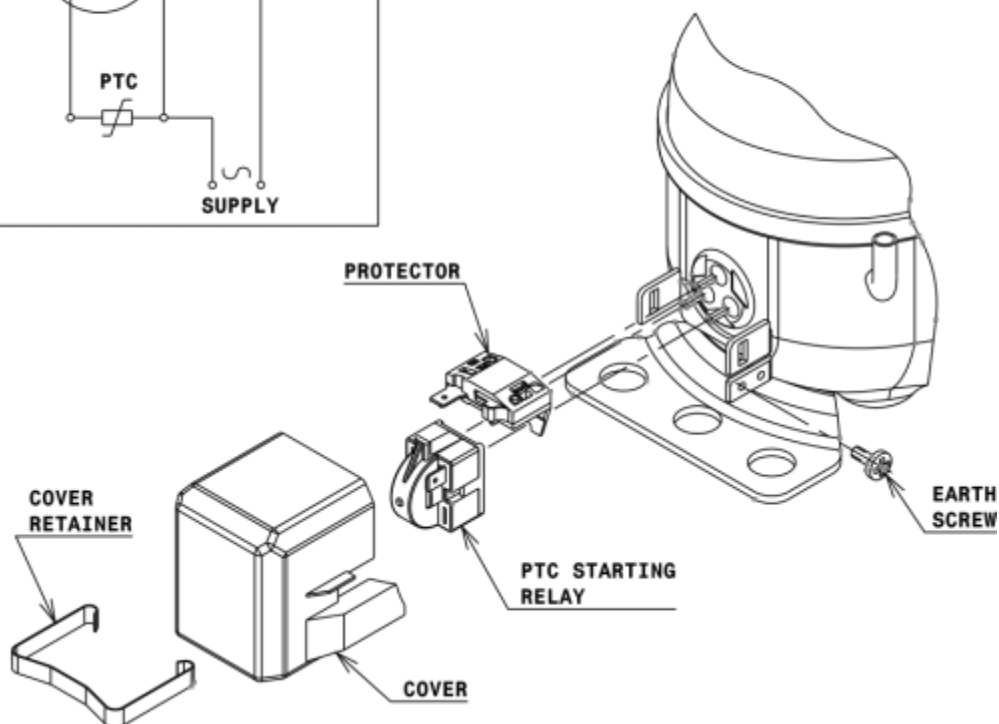
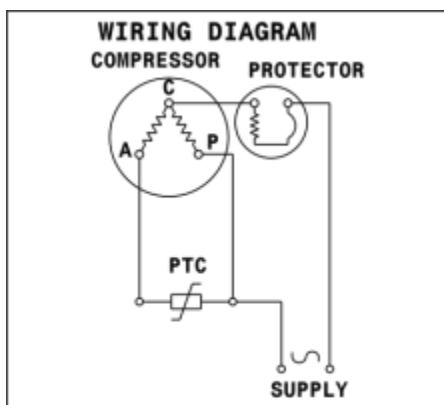
COMPRESSOR DIMENSIONS



	DESIGNATION	INTERNAL DIAM.
1	Suction	6,1 mm
2	Service	6,1 mm
3	Discharge	5,1 mm

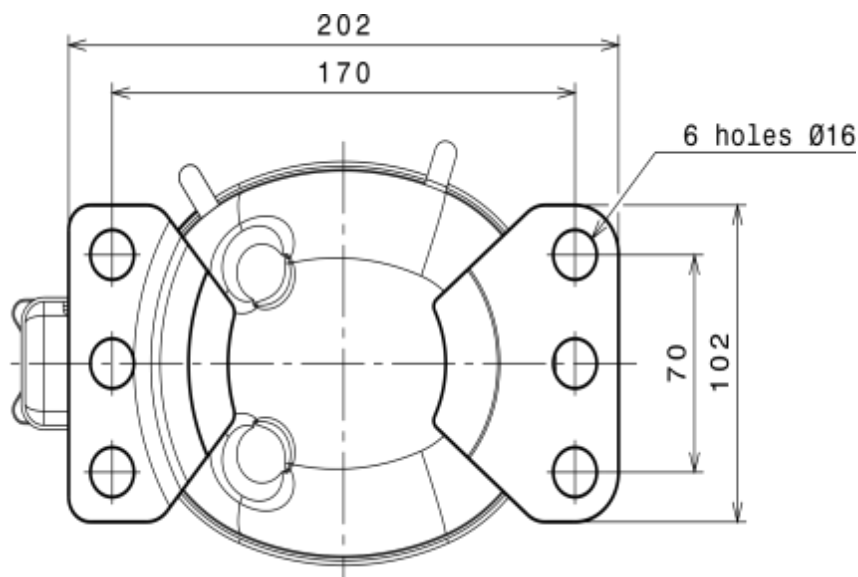
WIRING DIAGRAMS AND ELECTRICAL ASSEMBLY

RSIR CONNECTION (PTC) (B, Small L ranges)



B35C Technical Data Sheet

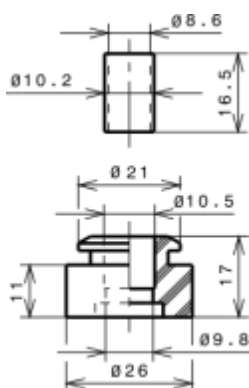
FIXINGS



SILENT BLOCKS (MOUNTING ACCESSORIES)

STANDARD

Ø16 holes (170x70 net)



SOA

SOA R600a LBP

