

L30CL Technical Data Sheet

Compressor model **L30CL**
 Voltage **220-240V 50/60Hz ~1**
 Refrigerant **R600a**

APPLICATION

Application Low Back Pressure
 Refrigerant R600a
 Evaporating Temp. -35,0 °C to -15,0 °C
 Expansion Capillar
 Comp. Cooling Static
 Max. ambient temp. 43,0 °C

COMPRESSOR

Displacement 3,10 cm³
 Diameter 17,20 mm
 Stroke 13,40 mm
 Net Weight 3,80 Kg
 Oil type ISO VG 10 MINER
 Oil charge 95 cm³

MOTOR

Nominal Power 1/14 hp
 Voltage/Frequency 220-240V 60Hz
 Voltage range 187-255 V
 Type RSIR
 Phase number 1 PH
 Locked Rotor Amps (LRA) 1,71 A
 Max. Cont. Current (MCC) 0,45 A
 Main W. resist. at 25°C 60,50 Q
 Start W. resist. at 25°C 18,20 Q

NOMINAL PERFORMANCE

	ASHRAE	CECOMAF
Cooling Capacity	47 kCal/h	41 W
COP	1,14 W/W	0,90 W/W
EER	0,98 kCal/Wh	0,77 kCal/Wh
Input Power	48 W	46 W
Current	0,35 A	0,34 A

TEST CYCLE CONDITIONS

	ASHRAE LBP (B)	CECOMAF LBP (A)
Evaporating temp. (T _e)	-23,3 °C	-25,0 °C
Condensing temp. (T _c)	55,0 °C	55,0 °C
Liquid temp. (T _{liq.})	32,0 °C	55,0 °C
Ambient temp. (T _{amb.})	32,0 °C	32,0 °C
Suction temp. (T _{suction})	32,0 °C	32,0 °C
Voltage/Frequency	220 V 60 Hz	220 V 60 Hz

ELECTRICAL COMPONENTS

Relay	Option 1	Option 2		
Reference	QP2-15	JPQII-15		
Voltage	220-240 V	220-240 V		
Resistance	Q	Q		
Protector	Option 1	Option 2	Option 3	
Reference	BT18-105A64D3	DRB10K61A1	BT18-105	
Current		2,00 A	2,00 A	
Time check		7-16 seg	7-16 seg	
Disc temp. (Open/Close)	135,00 / 61,00 °C	135,00 / 61,00 °C	120,00 / 61,00 °C	

L30CL Technical Data Sheet

ASHRAE

Tc °C	Te °C	Cooling Capacity kCal/h	Consumption W	Current A	COP W/W	EER kCal/Wh
40	-35	29	35	0,29	0,96	0,83
40	-30	38	40	0,31	1,13	0,97
40	-25	50	45	0,34	1,30	1,12
40	-23,3	54	47	0,34	1,36	1,17
40	-20	64	51	0,36	1,47	1,26
40	-15	80	57	0,39	1,63	1,40
40	-10	98	64	0,41	1,78	1,53

45	-35	27	35	0,29	0,91	0,78
45	-30	36	40	0,31	1,06	0,91
45	-25	48	45	0,34	1,23	1,05
45	-23,3	52	47	0,35	1,28	1,10
45	-20	61	51	0,36	1,39	1,19
45	-15	77	58	0,39	1,54	1,33
45	-10	95	65	0,42	1,69	1,45

50	-35	25	34	0,29	0,85	0,73
50	-30	34	40	0,31	1,00	0,86
50	-25	45	45	0,34	1,16	0,99
50	-23,3	49	48	0,35	1,21	1,04
50	-20	59	52	0,37	1,31	1,13
50	-15	74	59	0,39	1,46	1,26
50	-10	92	67	0,42	1,61	1,38

55	-35	23	34	0,29	0,79	0,68
55	-30	32	40	0,31	0,93	0,80
55	-25	43	46	0,34	1,09	0,93
55	-23,3	47	48	0,35	1,14	0,98
55	-20	56	53	0,37	1,24	1,06
55	-15	71	60	0,40	1,38	1,19
55	-10	89	68	0,43	1,52	1,31

60	-35	21	34	0,29	0,73	0,62
60	-30	30	40	0,31	0,87	0,75
60	-25	40	46	0,34	1,02	0,88
60	-23,3	45	48	0,35	1,07	0,92
60	-20	53	53	0,37	1,17	1,00
60	-15	69	61	0,40	1,31	1,12
60	-10	86	69	0,44	1,44	1,24

CECOMAF

Tc °C	Te °C	Cooling Capacity W	Consumption W	Current A	COP W/W	EER kCal/Wh
40	-35	32	35	0,29	0,91	0,78
40	-30	43	40	0,31	1,08	0,93
40	-25	56	45	0,34	1,24	1,07
40	-23,3	60	47	0,34	1,30	1,12
40	-20	71	51	0,36	1,40	1,21
40	-15	88	57	0,39	1,54	1,33
40	-10	107	64	0,41	1,67	1,45

45	-35	28	35	0,29	0,82	0,71
45	-30	39	40	0,31	0,97	0,84
45	-25	51	45	0,34	1,12	0,97
45	-23,3	55	47	0,35	1,17	1,01
45	-20	65	51	0,36	1,27	1,10
45	-15	81	58	0,39	1,40	1,21
45	-10	100	65	0,42	1,53	1,32

50	-35	25	34	0,29	0,74	0,64
50	-30	34	40	0,31	0,87	0,75
50	-25	46	45	0,34	1,01	0,87
50	-23,3	50	48	0,35	1,05	0,91
50	-20	59	52	0,37	1,14	0,99
50	-15	75	59	0,39	1,27	1,10
50	-10	92	67	0,42	1,39	1,20

55	-35	22	34	0,29	0,65	0,56
55	-30	30	40	0,31	0,77	0,66
55	-25	41	46	0,34	0,90	0,77
55	-23,3	45	48	0,35	0,94	0,81
55	-20	54	53	0,37	1,02	0,88
55	-15	68	60	0,40	1,14	0,98
55	-10	85	68	0,43	1,25	1,08

60	-35	19	34	0,29	0,56	0,48
60	-30	26	40	0,31	0,67	0,58
60	-25	36	46	0,34	0,78	0,68
60	-23,3	40	48	0,35	0,82	0,71
60	-20	48	53	0,37	0,90	0,78
60	-15	62	61	0,40	1,01	0,88
60	-10	78	69	0,44	1,12	0,97

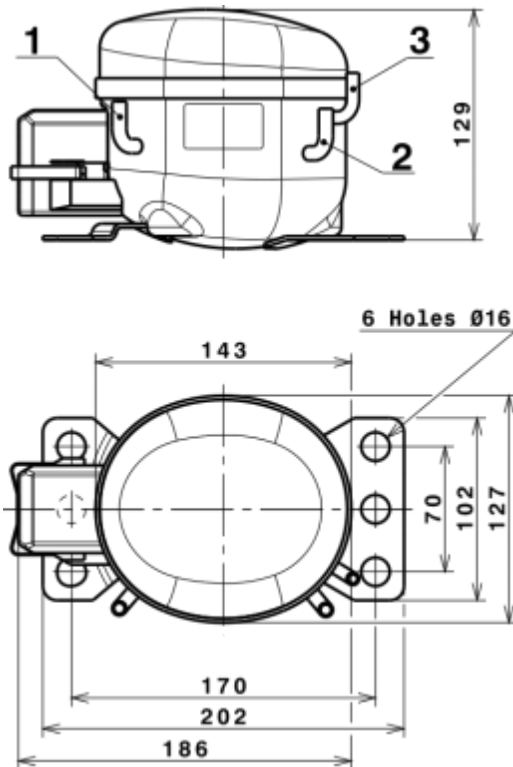
EN12900

X	Cooling Capacity (W)	Consumption (W)	Current (A)	Mass Flow (kg/h)
1	221,2292112156	65,3986201645	0,4183587671	2,2151574719322
2	6,1346055290	1,2134077647	0,0043727510	0,067444086057723
3	-1,8195297435	0,4089569925	0,0015854041	-0,0089405169402294
4	0,0409145306	0,0126794983	0,0000361245	0,00059574685326243
5	-0,0336331566	0,0136294531	0,0000538215	-0,00010702318745838

Equation	$x_1 + x_2Te + x_3Tc + x_4Te^2 + x_5TeTc$
----------	---

L30CL Technical Data Sheet

COMPRESSOR DIMENSIONS

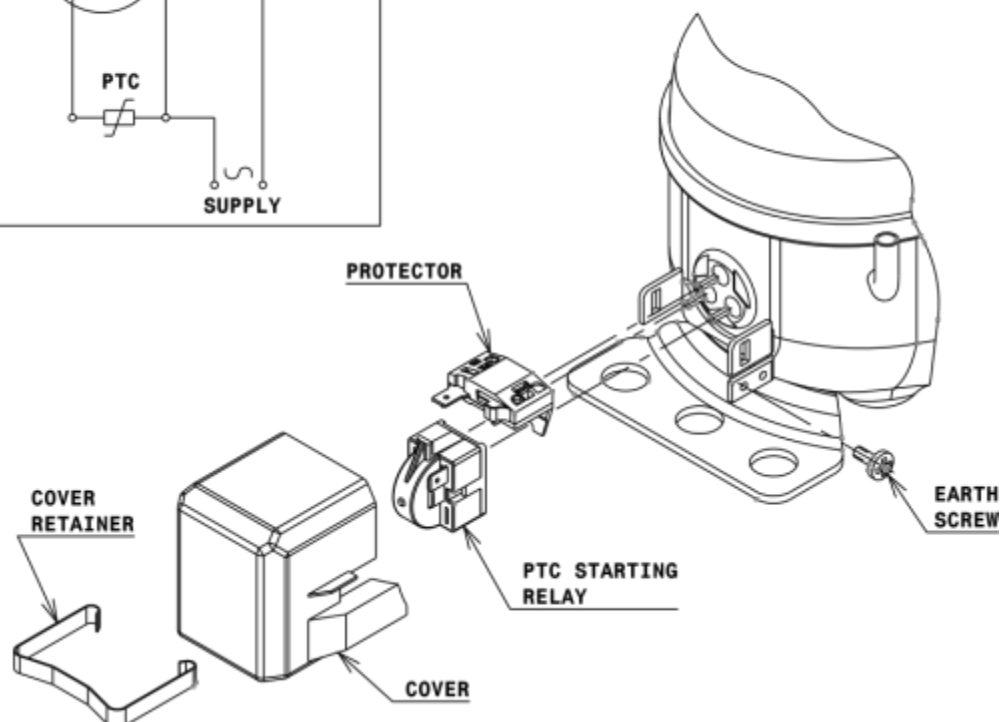
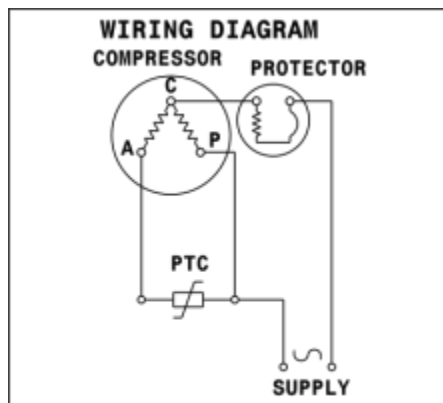


DESIGNATION INTERNAL DIAM.

DESIGNATION	INTERNAL DIAM.
1 Suction	6,1 mm
2 Service	6,1 mm
3 Discharge	5,1 mm

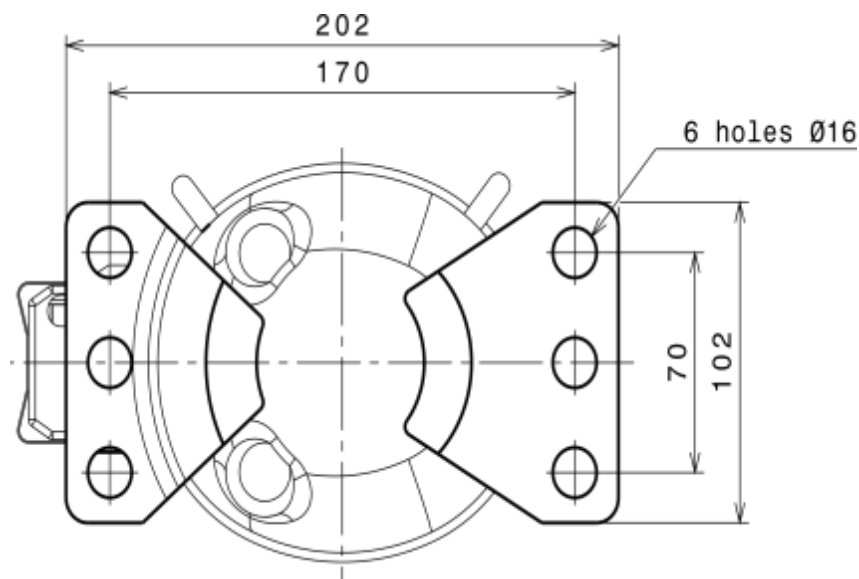
WIRING DIAGRAMS AND ELECTRICAL ASSEMBLY

RSIR CONNECTION (PTC) (B, Small L ranges)



L30CL Technical Data Sheet

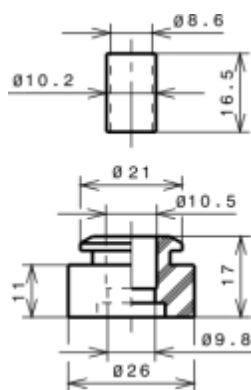
FIXINGS



SILENT BLOCKS (MOUNTING ACCESSORIES)

STANDARD

Ø16 holes (170x70 net)



SOA

SOA R600a LBP

